
	<p>CAUTION</p> <p>RISK OF ELECTRIC SHOCK DO NOT OPEN</p>	
<p>The lightning flash with arrowhead symbol, with an equilateral triangle is intended to alert the user of the presence of uninsulated dangerous voltage within the product's enclosure that may be of sufficient magnitude to constitute a risk of electric shock to persons.</p>	<p>CAUTION: TO REDUCE THE RISK OF ELECTRIC SHOCK, DO NOT REMOVE COVER (OR BACK). NO USER SERVICEABLE PARTS INSIDE. REFER SERVICING TO QUALIFIED SERVICE PERSONNEL.</p>	<p>The exclamation point within an equilateral triangle is intended to alert the user of presence of important operating and maintenance (servicing) instructions. In the literature accompanying the appliance.</p>

CAUTION : TO PREVENT ELECTRIC SHOCK, MATCH WIDE BLADE OF PLUG TO WIDE SLOT, FULLY INSERT.

WARNING: TO REDUCE THE RISK OF FIRE OR ELECTRIC SHOCK, DO NOT EXPOSE THE APPLIANCE TO RAIN OR MOISTURE.

SAFETY INSTRUCTIONS

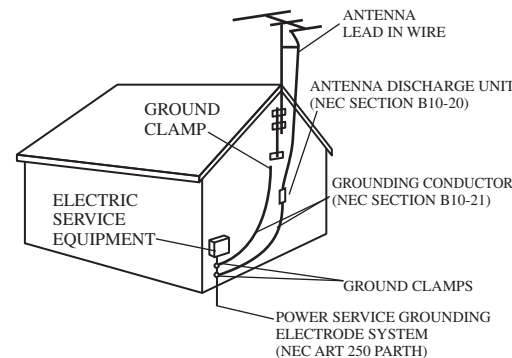
THESE IMPORTANT SAFETY INSTRUCTIONS ARE INCLUDED, AS APPLICABLE TO THE APPLIANCE, CONVEYING TO THE USER THE INFORMATION ITEMIZED BELOW

- Read instructions**-All the safety and operating instructions should be read before the appliance is operated.
- Retain instructions**-The safety and operating instructions should be retained for future reference.
- Heed Warnings**-All warnings and cautions on the appliance and in the operating instructions should be adhered to.
- Follow instructions**-All operating and use instructions should be followed.
- Water and Moisture**-The appliance should not be used near water, (e.g. a bathtub, washbowl, kitchen sink, laundry tub, wet basement, a swimming pool or lake.)
- Wall or Ceiling Mounting**-The appliance should not be mounted on a wall or ceiling.
- Ventilation**-The appliance should be situated so that its location or position does not interfere with its proper ventilation. For example, the appliance should not be situated on a bed, sofa, rug or similar surface that may block the ventilation openings, or placed in a built-in installation, such as a bookcase or cabinet, that may impede the flow of air through the ventilation openings.
- Heat**-The appliance should be situated away from heat sources such as radiators, heat registers, stoves, and other appliances (including amplifiers) that produce heat.
- Power Sources**-The product should be operated only with the type of power supply indicated on the marking label. If you are not sure of the type of power supply to your home, consult the product dealer or local power company. For products intended to operate from battery power, or other sources, refer to the operating instructions.

- Grounding Polarization**-This product may be equipped with a polarized alternating current line plug (a plug having one blade wider than the other). This plug will fit into the power outlet only one way period. This is a safety feature. If you are unable to insert the plug fully into the outlet, try reversing the plug. If the plug should still fail to fit, contact an electrician to replace the outlet. Do not defeat the safety purpose of the polarized plug.
- Power-Cord Protection**-Power supply cords should be routed so that they are not likely to be walked on or pinched by items placed upon or against them, paying particular attention to cords at plugs, convenience receptacles, and the point where they exit from the appliance.
- Cleaning** - The appliance should be cleaned with a soft, dry cloth.
- Non-use periods**-The power cord of the appliance should be unplugged from the outlet when left unused for a long period of time.
- Object and Liquid Entry**-Care should be taken so that objects do not fall, and liquids are not spilled, into the product case through product openings.
- Damage Requiring Service**-Unplug this product from the wall outlet and take it to qualified service personnel under the following conditions.
 - When the power-supply cord or plug is damaged.
 - If liquid has been spilled into, or objects have fallen into, the product.
 - If the product has been exposed to rain or water.
 - If the product does not operate when used according to the operating instructions.

Adjust only those controls that are covered by the operating instructions because improper adjustment of other controls may interfere with the product's normal operation.
 - If the product has been dropped or damaged in any way.
 - When the product exhibits a distinct change in performance.
- Servicing** - The user should not attempt to service the product beyond that described in the operating instructions. All servicing should be referred to qualified service personnel.
- Power Lines**-An outside antenna system should not be located in the vicinity of overhead power lines, or other electric light or power circuits, or where it can fall into such power lines or circuits. When installing an outside antenna system, extreme care should be taken to keep from touching power lines or circuits as contact with them might be fatal.
- Outdoor Antenna Grounding** -If an outside antenna is connected to the receiver, be sure the antenna system is grounded so as to provide some protection against voltage surges and built up static. Section 810 of the National Electrical Code ANSI/NEFA 70 provides information with respect to proper to grounding of the mast and supporting structure, grounding conductors, location of antenna-discharge unit, size of grounding electrodes, and requirements for the grounding electrode (see figure).
- CLEANING** - Unplug this product from the wall outlet before cleaning. Do not use liquid cleaners or aerosol cleaners. Use a damp cloth for cleaning.
- LIGHTNING** - For added protection for this product during a lightning storm, or when it is left unattended and unused for long periods of time, unplug it from the wall outlet and disconnect the antenna or cable system. This will prevent damage to the product due to lightning and power-line surges.
- SAFETY CHECK**- Upon completion of any service or repairs to this product, ask the service technician to perform safety checks to determine that the product is in proper operating condition.
- OVERLOADING**- Do not overload wall outlets, extension cords or integral convenience receptacles as this can result in a risk of fire or electric shock.

EXAMPLE OF ANTENNA GROUNDING AS PER NATIONAL ELECTRICAL CODE



NEC NATIONAL ELECTRICAL CODE
Do not apply oil or petroleum products to this product.

CAUTION

Invisible laser radiation will be emitted when the product is open and interlocks are defeated. Do not defeat the safety interlocks.

GRAPHIC SYMBOLS WITH SUPPLEMENTARY MARKINGS ARE LOCATED ON THE BOTTOM OF THE UNIT.

USE OF CONTROLS, ADJUSTMENTS, OR PERFORMANCE PROCEDURE HEREIN MAY RESULT IN HAZARDOUS RADIATION EXPOSURE.

Power Supply

Operating the player on AC power

Insert one end at the supplied power cord to the AC IN Jack located at the rear.
Of the rear of the unit and the other end into the Wall outlet.

NOTE:

WHEN THE FIRST TIME USED THE CORD HAS TO BE FIRMLY PUSHED INTO THE SOCKET IF IT DOES NOT WORK ON AC, TO TRY AGAIN TO BE SURE FOR A POSITIVE CONNECTION.

OPERATION the player on batteries

- To play your unit on batteries, the AC power cord must be disconnected from the player.
- Unplug the AC power cord from the unit and insert eight size C/UM-2 Batteries (not provided) in the compartment.
- Close the battery compartment door.

Note:

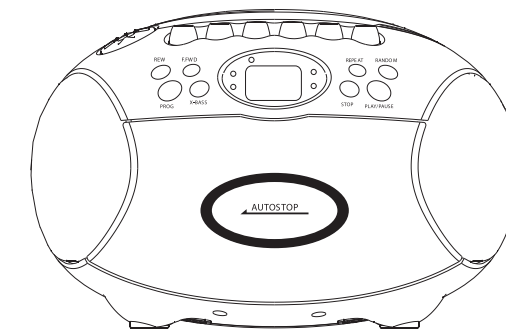
Check your batteries regularly. Old or discharged batteries should be replaced. If the unit is not to be used for sometime or is being run exclusively on AC electrical current, remove batteries from the battery compartment to avoid leakage.

WARNING:

Keep batteries away from children and pets. Dispose of batteries per battery manufacturer's instructions. Do not discard batteries in fire, as explosion may occur.

Portable CD Player with AM/FM Stereo Radio Cassette Player/Recorder

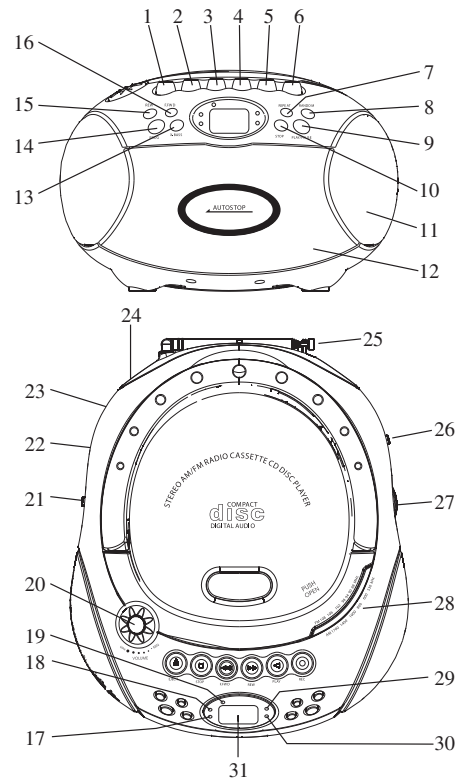
MODEL NPB-235



INSTRUCTION MANUAL Operating Instructions



BEFORE OPERATING THIS PRODUCT, READ, UNDERSTAND, AND FOLLOW THESE INSTRUCTIONS. Be sure to save this booklet for future reference.



1. CASSETTE EJECT BUTTON
2. CASSETTE STOP BUTTON
3. CASSETTE FAST-FORWARD BUTTON
4. CASSETTE REWIND BUTTON
5. CASSETTE PLAY BUTTON
6. CASSETTE REC BUTTON
7. CD REPEAT BUTTON
8. CD RANDOM BUTTON
9. CD PLAY/PAUSE BUTTON
10. CD STOP BUTTON
11. SPEAKERS
12. CASSETTE DOOR
13. CD X-BASS BUTTON
14. CD PROG BUTTON
15. CD REWIND BUTTON
16. CD FAST-FORWARD BUTTON
17. CD PLAY LED INDICATOR
18. CD PROG INDICATOR
19. CD PEREAT LED INDICATOR
20. VOLUME CONTROL KNOB
21. FUNCTION SWITCH
22. AUX JACK
23. PHONES JACK
24. AC POWER CORD INPUT JACK
25. ANTENNA
26. BAND SWITCH
27. TUNING CONTROL KNOB
28. TUNING FREQUENCY SCALE
29. POWER LED INDICATOR
30. FM. STEREO LED INDICATOR
31. LED DISPLAY

RADIO OPERATION

Radio reception

1. Slide the TAPE/AUX/RADIO/CD selector to RADIO.
 2. Slide the BAND selector to a desired setting - AM/ FM ST./FM MONO
 3. Rotate the TUNING control to find the desired stations.
- NOTE:** If the BAND selector is set to the FM stereo position and once you have tuned to an FM stereo station, the FM stereo LED indicator will light.

For better reception

- For FM, pull out the telescopic antenna. Incline and turn the antenna. Reduce its length if the signal is too strong (very close to a transmitter).
- For AM the set is provided with a built-in antenna so the telescopic antenna is not needed. Direct the antenna by turning the whole set.



Handle a disc only by its edges. Do not touch the surface or rainbow-colored side of the disc.



Handle a disc as shown in the two illustrations indicated (to the left).



Use a soft cloth to wipe a disc clean. Do not use benzene, thinner, or other chemical cleaners to clean the disc as damage may result.



Do not expose a disc to direct sunlight, high humidity, or high temperatures for extended periods of time. Do not place the disc on other equipment or near any heat source.

CD SECTION

Playing a CD

This CD-player can play Audio Discs, CD-R. Do not try to play CD-ROM, CDi, VCD, DVD or computer CD.

1. Adjust the TAPE/AUX/RADIO/CD selector to CD. Display: shows " - " Briefly.
2. To open the CD door, lift the CD door at the edge marked OPEN/CLOSE.
3. Insert a CD disc with the printed side facing up and press the CD door gently close.
4. Press PLAY/PAUSE on the set to start playback.
5. The PLAY indicator will light.
6. To pause playback press PLAY/PAUSE while playing.
7. The PLAY indicator will flash. To resume, press again.
8. To stop CD playback, press STOP.

Note: CD play will also stop when:

- you open the CD compartment;
- you select RADIO sound source;
- the CD has reached to the end.

Selecting a different track

1. During playback you can use F.FWD or REW to select a particular track.
2. If you have selected a track number in the stop or pause mode, press PLAY to start playback.
3. Press F.FWD once briefly for the next track, or press repeatedly until the desired track number appears in the display.
4. Press REW once briefly to return to the beginning of current track.
5. Press REW more than once briefly for a previous track.

Finding a passage within a track

1. Press and hold down F.FWD or REW . The CD is played at high speed and low volume.
2. When you recognize the passage you want, release F.FWD or REW. →Normal playback resumes.

Repeat Function

The Repeat Button can be used to repeat a single track. Repeat all tracks.

To repeat a single track. Press the REPEAT Button once while in the play mode. The CD Repeat LED Indicator will flash.

To repeat all of the tracks on a CD. Press the REPEAT Button twice while in the play mode. The CD Repeat LED Indicator will steadily be illuminated.

To exit the repeat mode. Press the REPEAT Button a third time while in the play mode.

RANDOM PLAY

In CD stop mode, Press the "RANDOM" BUTTON once, the CD will play randomly.

Programming track numbers

You may store up to 20 tracks in the desired sequence. If you like, store any track more than once.

1. In the STOP mode, press F.FWD or REW for your desired track.
2. When your chosen track number appears, press PROG once to store the track. → PROG LED indicator flashes and the display shows PROG briefly followed by your selected track number.
3. Repeat steps 1 to 2 to select and store all desired tracks in this way.
4. To play your program, press PLAY/PAUSE.

Reviewing your set program

- In the STOP mode, press PROG. → The display shows your stored track numbers in sequence.

Erasing a program

You can erase the contents of the memory by:

- opening the CD door;
- select to RADIO source;
- pressing STOP (twice during playback or in the stop Position) The display shows your stored track numbers in sequence.

X-Bass Function

1. Press X-BASS while CD play back, the sound will upgrade to bass.
2. To resume, press again.

HEADPHONE

Your radio is equipped with a HEADPHONE JACK for private listening. Simply plug any 3.5 mm plug type stereo headphone into the HEADPHONE JACK. With the headphone connected the speaker in the radio will be automatically disconnected.

CASSETTE OPERATION

Installation of Cassette

Open the cassette cover by pressing the "EJECT" BUTTON. Insert the cassette tape, bottom side up with the tape facing you. Close the cover. Now the unit is ready for operation.

Automatic Stop (Auto Stop)

When the cassette being played or recorded on reaches the end of the tape, the unit will shut off.

Fast Forwarding and Rewind

Press the "F.FWD" button to fast forward the tape or "REW" button to rewind the tape. Press the "STOP" button to stop the moving tape at the desired location.

RECORDING FROM CD

1. Insert a cassette tape into the cassette tape holder. The full reel or spool section to be used for recording should be on the right side.
2. Insert a CD into the CD compartment and close the CD Door.
3. Slide the TAPE/AUX/RADIO/CD selector to the "CD" position.
4. Press the CD PLAY/PAUSE Button twice, then select the CD track number to be recorded.
5. Press the Cassette "PLAY" and "REC" recorder buttons at the same time.
6. Press the CD "PLAY/PAUSE" Button to begin the CD playing.
7. To stop recording:
 - a. Press the STOP Button to stop the cassette player.
 - b. Press the CD STOP Button to stop CD player.

RECORDING FROM RADIO

1. Slide the TAPE/AUX/RADIO/CD selector to the "RADIO" position.
2. Press the Cassette "PLAY" and "REC" recorder buttons at the same time.
3. To stop recording , simply press the STOP Button to stop the cassette player.

HEADPHONE JACK

Your radio is equipped with a HEADPHONE JACK for private listening. Simply plug any 3.5 mm plug type stereo headphone into the HEADPHONE JACK. With the headphone connected the speaker in the radio will be automatically disconnected.

AUX INPUT JACK

1. Adjust the TAPE/ AUX/ RADIO/ CD selector to "AUX".
2. Connect the AUX connect wire from the out jack of your Personal Player such as portable MP3 player to the AUX input jack.
3. Play Start from your Personal Player.

RECORDING FROM AUX line-in device

1. Slide the TAPE/AUX/RADIO/CD selector to the "AUX" position.
2. Connect the AUX connecting wire from the out jack of your Personal Player such as portable MP3 player to the AUX input jack.
3. Press the Cassette "PLAY" and "REC" recorder buttons at the same time.
4. To stop recording , simply press the STOP Button to stop the cassette player.